



■ Features

- UL Listed Base
- Compatible to Nittan's UL Listed detectors
- Contains a locking screw for tamper protection
- 4 terminals to be used depending on detectors
- Mounts directly to 3-1/2" octagonal electrical boxes

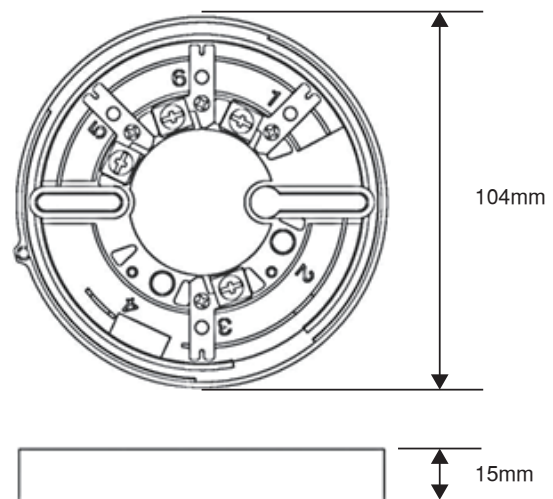
■ Description

EVA-UB4 Standard Base is a 4 inch mounting base for Nittan's UL listed detectors that can be mounted to 3-1/2 inch octagonal electrical boxes. The base contains no electrical circuit so that the base is used as a terminal block. The base is supplied with 4 terminals that are used depending on the detector heads. The 12 – 20 AWG field wire can be connected to the terminals. EVA-UB4 contains a locking screw to avoid unauthorized removal of detectors.

Compatible Detector Models

Model	Discription
EVA-PY	Addressable Photoelectric Smoke Detector
EVA-PYH	Addressable Multisensory Detector
EVA-H2	Addressable Heat Detector
EVA-H2-H	Addressable High-temp. Heat Detector
EVA-DPH	Addressable Dual Optical / Heat Detector
EVCA-P	Conventional Photoelectric Smoke Detector
EVCA-P-Z	Conventional Photoelectric Smoke Detector

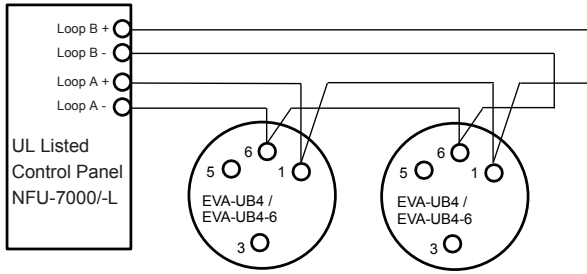
Dimensions



■ Installation Diagrams

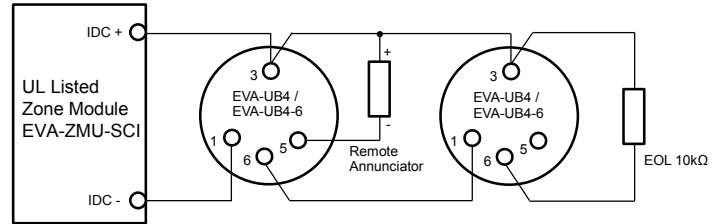
Analog addressable wiring

When connected to analog detectors such as EVA-PY, EVA-PYH, EVA-H2, EVA-DPH, etc.



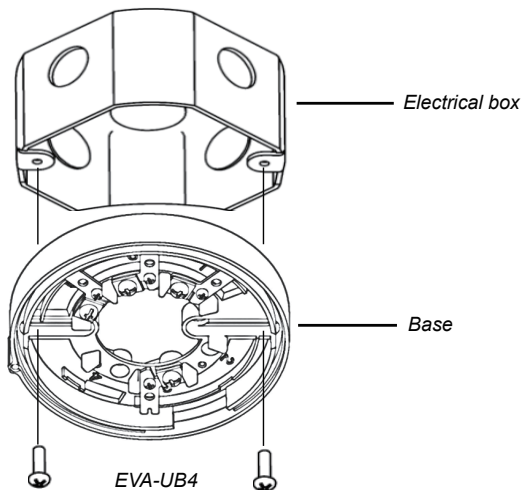
Conventional wiring

When connected to conventional detectors such as EVCA-P, EVCA-P-Z, etc.



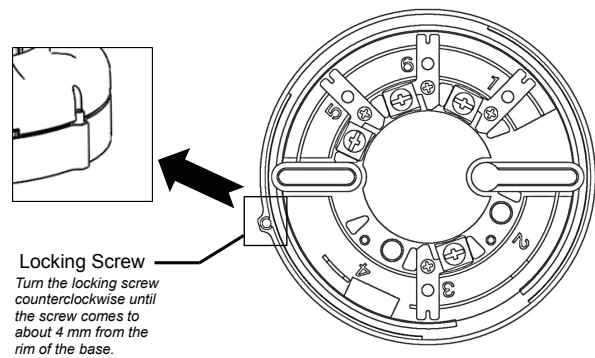
Mounting

EVA-UB4 is designed to be mounted to 3-1/2" octagonal electrical boxes.



Locking Screw

EVA-UB4 contains a locking screw to avoid unauthorized removal of detectors.



■ Specifications

Specifications	EVA-UB4
UL Ambient Installation Temperature	0 °C to +65.6 °C (32 °F to 150 °F)
Storage Temperature	-20 °C to +60 °C (-4 °F to 140 °F)
Relative Humidity	≤ RH 95 %, non-condensing
Environment	Indoor, dry use only
Terminal	AWG12-20
Dimensions	φ 104 mm x H 15 mm
Weight	50 g
Standard	UL268 and UL521

Distributed By

All specifications are subject to change without any notice.
For more information, contact with NITTAN.

NITTAN

54-5, 1-chome, Sasazuka,
Shibuya-ku, Tokyo151-8535, Japan
TEL:81-3-5333-7021 FAX:81-3-5333-8615