



■ Features

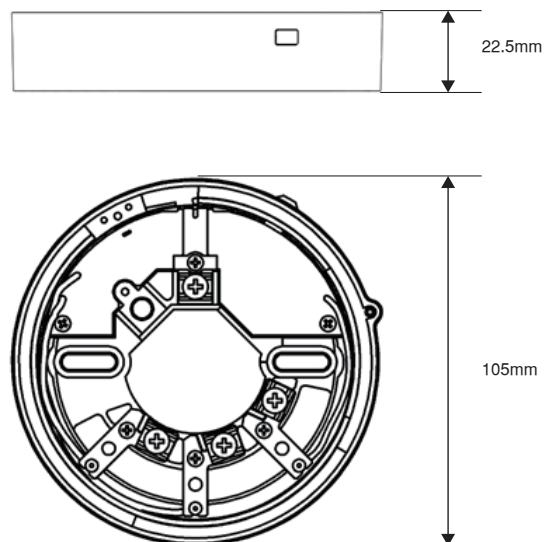
- Short circuit isolator base
- UL Listed base
- Compatible to Nittan's UL Listed detectors
- Supplied with one LED indicator of S/C condition
- Contains a locking screw for tamper protection
- Current Consumption 0.12 mA (Stanby), 22 mA (Actibated)
- Power supply 20 VDC to 38 VDC supplied by loop

■ Description

EVA-STB-SCI is a 4 inch mounting base with short circuit isolator that isolates short-circuit to protect a detector failing. When short circuit is detected, LED indicator illuminates and the short-circuit area is isolated automatically. Upon removal of the short condition, the area is automatically connected to go back to the normal operating status.

EVA-STB-SCI can be mounted to 3-1/2" octagonal electrical box, or to 4" square or 4" octagonal electrical box when using STBA-ADP optional mounting adaptor. The base is supplied with 3 terminals as standard. The 12 – 20 AWG field wire can be connected to the terminals. EVA-STB-SCI contains a locking screw to avoid unauthorized removal of detectors.

■ Dimensions



■ Compatible Detector Models

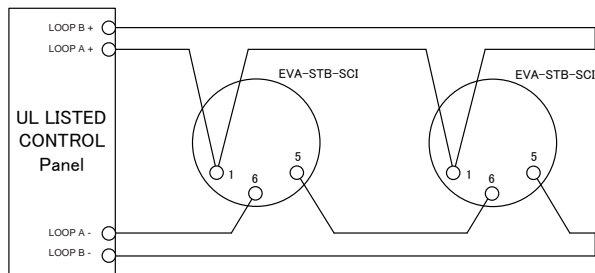
Model	Discription
EVA-PY	Addressable Photoelectric Smoke Detector
EVA-PYH	Addressable Multisensory Detector
EVA-H2	Addressable Heat Detector
EVA-DPH	Addressable Dual Optical / Heat Detector



■ Installation Diagrams

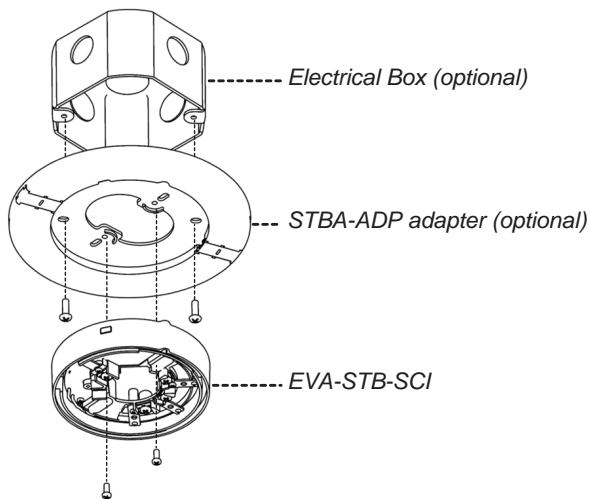
Analog addressable wiring

Where connected to analog detectors such as EVA-PY, EVA-PYH, EVA-H2, EVA-DPH, etc.



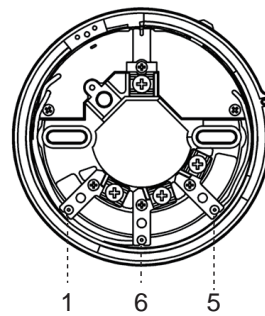
Mounting

EVA-STB-SCI can be mounted to a 3-1/2" octagonal electrical box, or to a 4" square or a 4" octagonal electrical box when using a STBA-ADP optional mounting adaptor.



Terminals

EVA-STB-SCI base is supplied with 3 terminals as follows:

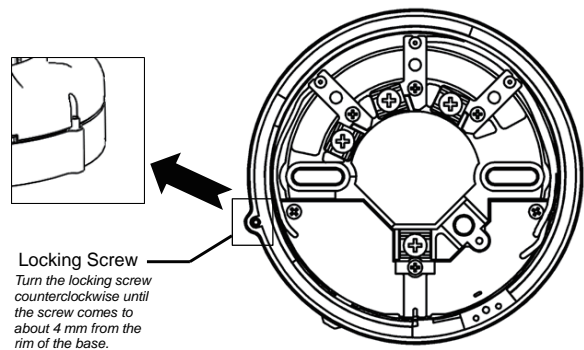


Terminals

- Terminal 1 = SLC+
- Terminal 6 = SLC - IN
- Terminal 5 = SLC - OUT

Locking Screw

EVA-STB-SCI contains a locking screw to avoid unauthorized removal of detectors.



Locking Screw
Turn the locking screw counterclockwise until the screw comes to about 4 mm from the rim of the base.

■ Specifications

Specifications	EVA-STB-SCI
SLC Applied Voltage	Rated Range 20 VDC to 38 VDC
SLC Current Consumption	Standby: 100 μ A Activated (SCI Isolation): 22mA
SCI On Resistance	0.2 ohms (max)
SCI Fault Detection Voltage	10 V (min)
LED Visual Indicator	Short Circuit - Solid Yellow LED
Operating Temperature	-10 °C to +55 °C (14 °F to 131 °F)
Storage Temperature	-20 °C to +60 °C (-4 °F to 140 °F)
Relative Humidity	\leq RH 95 % non-condensing
Environment	Indoor dry use only
Terminal	AWG12-20
Dimensions	ϕ 105 mm x H 22.5 mm
Weight	80 g
Standard	UL268 and UL521

Distributed By

All specifications are subject to change without any notice.
For more information, contact with NITTAN.

NITTAN

54-5, 1-chome, Sasazuka,
Shibuya-ku, Tokyo151-8535, Japan
TEL:81-3-5333-7021 FAX:81-3-5333-8615