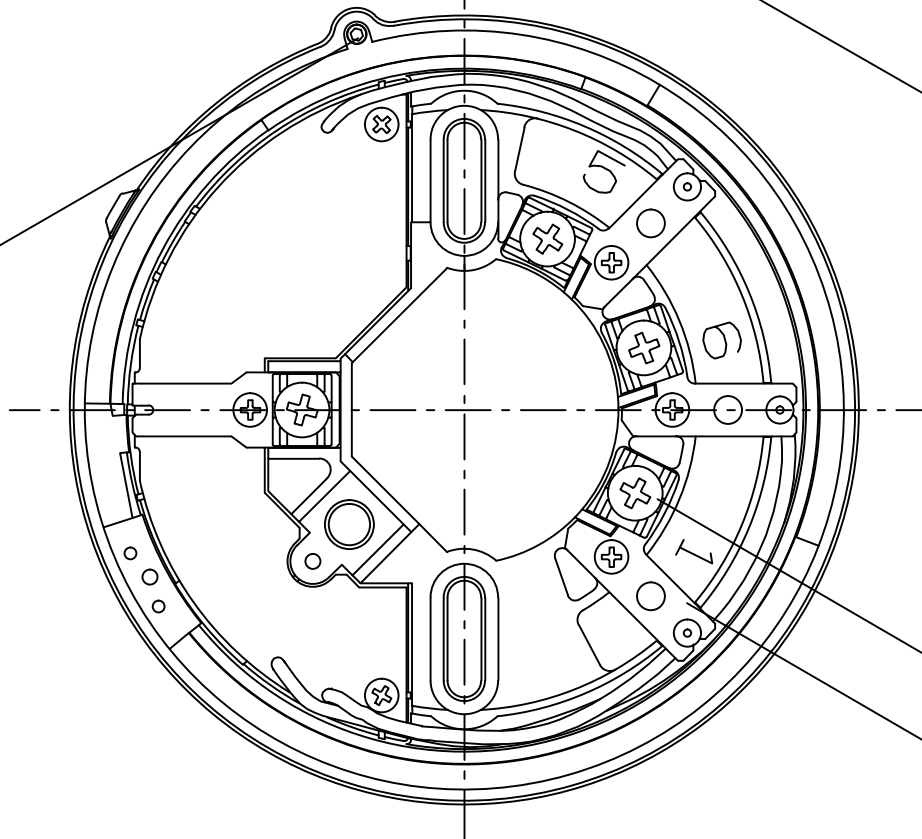


5

6



4

1

3

2

Index

No.	Description	Remarks	Q'ty
1.	Main Body	Flame Retardant Resin	1
2.	Terminal Plate		4
3.	Terminal Screw	M4	4
4.	Locking Screw	Hexagon setscrew M3	1
5.	LED Light	Yellow	1
6.	Label		1

Specifications

SLC Applied Voltage	: Rated Range 20 VDC to 38 VDC
SLC Current Consumption	: Standby 100µA Activated(SCI Isolation) 22mA
Wire Size	: AWG 12-20
Applicable Standard	: UL268, UL521
UL Ambient Installation Temperature	: 0°C (32°F) to +38°C (100°F)
Operating Temperature	: -10°C (14°F) to +55°C (131°F)
Storage Temperature	: -20°C (-4°F) to +60°C (140°F)
Maximum Relative Humidity Environment	: Up to 95%RH, non-condensing : Indoor dry use only

NITAN COMPANY, LIMITED

SCALE	1 / 1	DATE	Dec. 01, 2016
MODEL NO.	EVA-STB-SCI		
TITLE	Short Circuit Isolator Base		
DRAWING NO.	N0100022	Dim:	mm