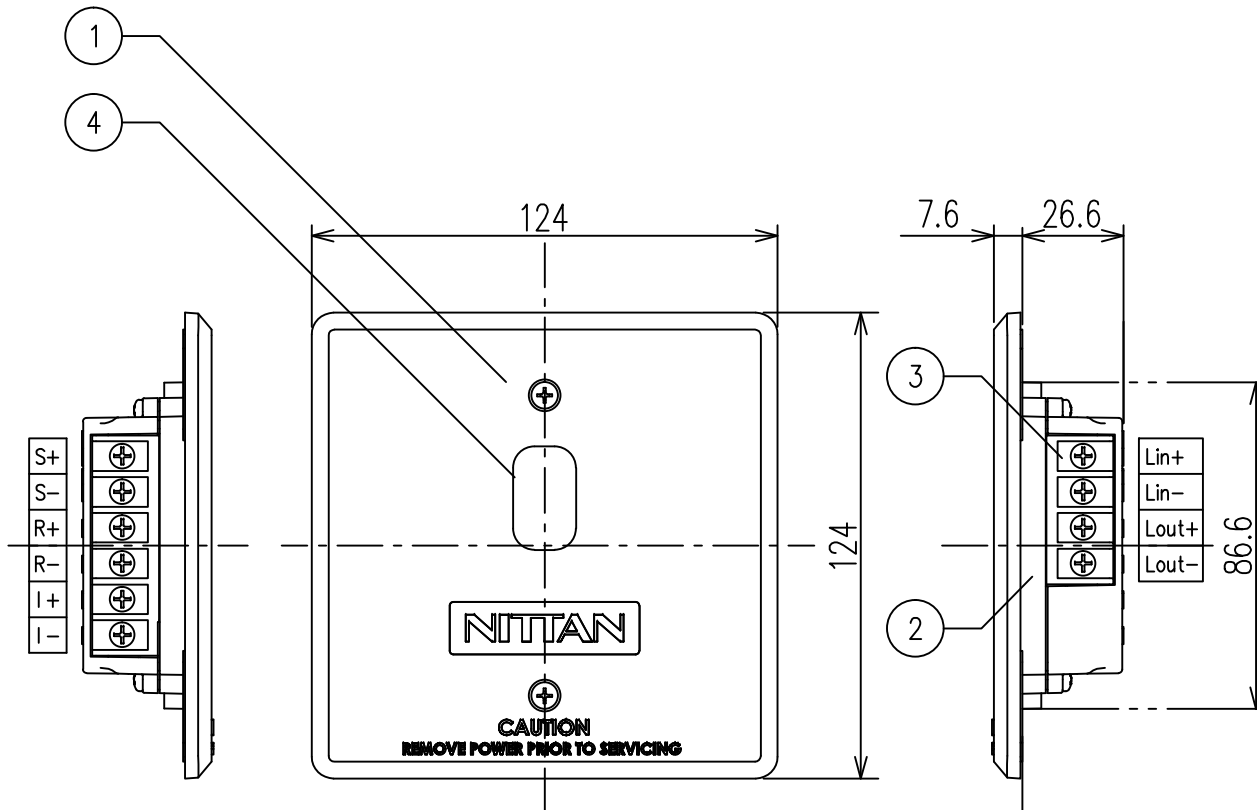


## Index

No.	Description	Remarks	Q'ty
1.	Outer Cover	Flame Retardant Resin	1
2.	Main Unit		1
3.	Terminal Screws	M3	10
4.	LED Indicators	Red/Green/Yellow	3

## Specifications

Applied Voltage	SLC	: Rated range 20 to 38 VDC
	±	: Rated range 16 to 30 VDC
SLC Current Consumption		: Standby 0.8mA
		: Alarm 3.6mA
Relay (±)		: Switching capacity DC30V,2A
LED Visual Indicator		: Polling LED (Green)
		: Output LED (Red)
		: SCI LED (Yellow)
Applicable Electrical Box		: 4 inch Square box
Applicable Standard		: UL864
UL Ambient Installation Temperature		: 0°C (32°F) to +49°C (120°F)
Operating Temperature		: -10°C (14°F) to +55°C (131°F)
Storage Temperature		: -20°C (-4°F) to +60°C (140°F)
Maximum Relative Humidity		: Up to 93%RH, non-condensing
Environment		: Indoor dry use only



NITAN COMPANY, LIMITED			
SCALE	1/2	DATE	Dec. 01, 2016
MODEL NO.	EVA-SCM-SCI		
TITLE	Sounder Control Module with SCI		
DRAWING NO.	N0100015	Dim:	mm