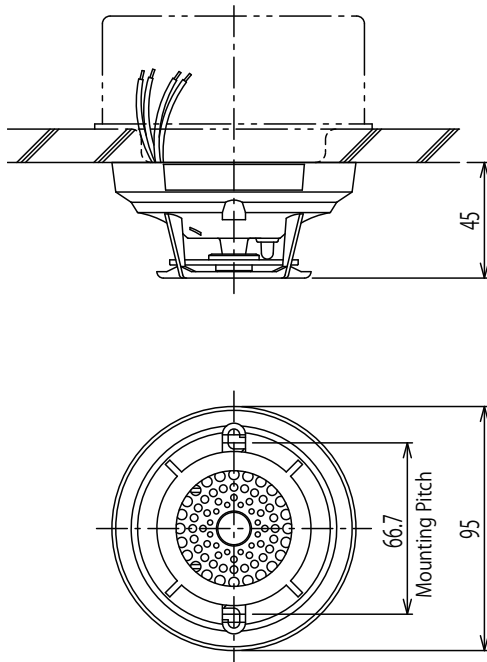




### ■ Description

The fixed temperature heat detector, Model TCC2-60-LW, is designed to sense a fixed temperature of air. For the water-proof feature, this detector is suitable for the installing to a humid place such as kitchen or cookhouse. It activates whenever the ambient temperature reaches the top temperature of detector setting. It is incorporated a self-resetting bi-metallic disk element with respose indicator.

### ■ Dimensions



### ■ Features

- Fixed temperature heat detector, 60°C, water-proof
- Mechanical operating heat sensor - for reliability
- Response indicator lights up to show which detector has activated
- Ease of installation and wiring connection - reduces installation costs
- Connections are non-polarised - reduces wiring mistakes
- Wide working voltage available to suit most control panels
- Self-resetting and requires no replacement of internal elements - reduces maintenance costs
- Power consumption 0A (idle mode)

### ■ Specifications

Specifications	TCC2-60-LW
Sensitivity	Special Class
Fixed Alarm Temperature	60°C
Type	Water-Proof Type
Detector Element	Self-resetting bi-metallic disk element
LED Indicator	Red LED illuminates in an alarm condition
Rated Voltage	24 VDC
Quiescent Current	0 A
Rated Contact Capacity	50mA@30VDC
Ambient Installation Temperature	-10°C to +40°C
Base	No Need (Lead Wire Type)
Dimensions	φ 95 mm x H 45 mm
Weight	60 g
Label	Japanese