



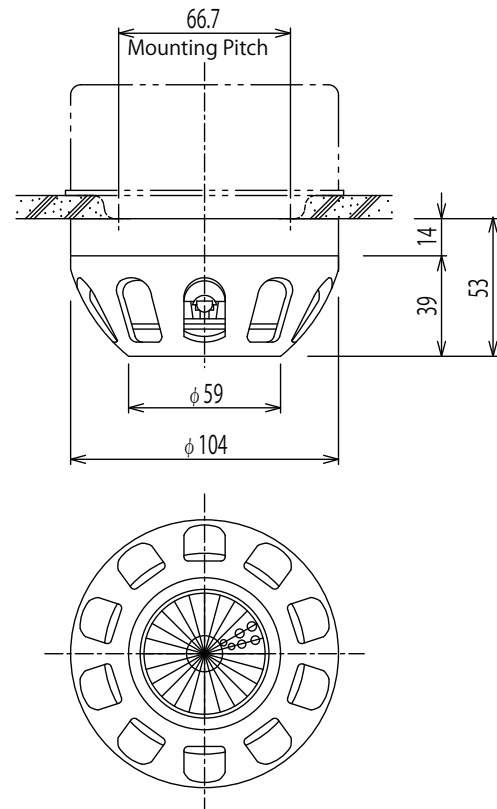
■ Description

The fixed temperature heat detector, Model CD series, is designed to sense a fixed temperature of air. It activates whenever the ambient temperature reaches the top temperature of detector setting (various settings are available.) It is incorporated a self-resetting bi-metallic disk element with respose indicator.

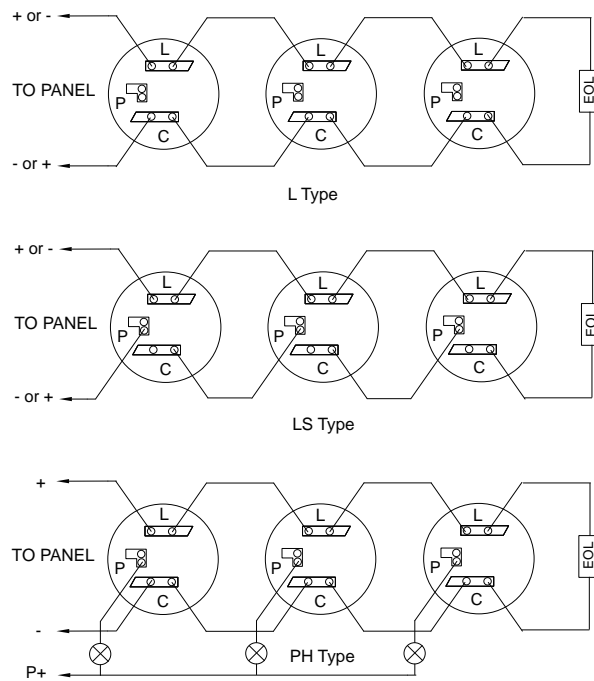
■ Features

- Fixed temperature heat detector, 60°C, 70°C, 80°C
- Mechanical operating heat sensor - for reliability
- Response indicator lights up to show which detector has activated
- Ease of installation and wiring connection - reduces installation costs
- Connections are non-polarized - reduces wiring mistakes
- Wide working voltage available to suit most control panels
- Self-resetting and requires no replacement of internal elements - reduces maintenance costs
- Power consumption 0A (idle mode)
- Compatible with Nittan 3T base

Dimensions



■ Wiring



Typical 2-Wire Initiating circuit configuration

Wiring differs depending on Panel's specifications. Refer to the installation manual of the panels connected.

■ Specifications

Specifications	TCD-60-L	1CD-70-LS	1CD-70-PH	1CD-80-L
Sensitivity	High	Standard	Standard	Standard
Fixed Alarm Temperature	60°C	70°C	70°C	80°C
Detector Removal Monitoring	-	Available	-	-
Terminal for Remote Indicator	-	-	Available	-
Alarm Indication Latching Function	-	-	Available	-
Detector Element	Self-resetting bi-metallic disk element			
LED Indicator	Red LED illuminates in an alarm condition			
Rated Voltage	24 VDC			
Quiescent Current	0 mA			
Rated Contact Capacity	50mA@30VDC	50mA@30VDC	165mA@30VDC (L-C:65mA P-C:100mA)	50mA@30VDC
Ambient Installation Temperature	-10°C to +40°C	-10°C to +50°C	-10°C to +50°C	-10°C to +60°C
Base	B2-C	3T Base	B3-J	B2-C
Dimensions	φ 104 mm x H 39 mm (Detector head only) φ 104 mm x H 53 mm (with 3T base)			
Weight	Head : 85g Base : 45g			
Label	Japanese	English	Japanese	Japanese

Distributed By

All specifications are subject to change without any notice.
For more information, contact with NITTAN.

NITTAN

54-5, 1-chome, Sasazuka,
Shibuya-ku, Tokyo151-8535, Japan
TEL:81-3-5333-7021 FAX:81-3-5333-8615