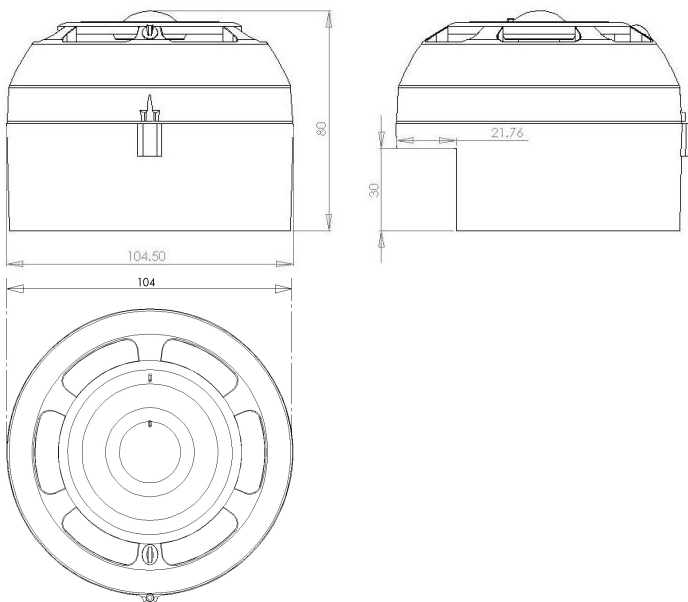


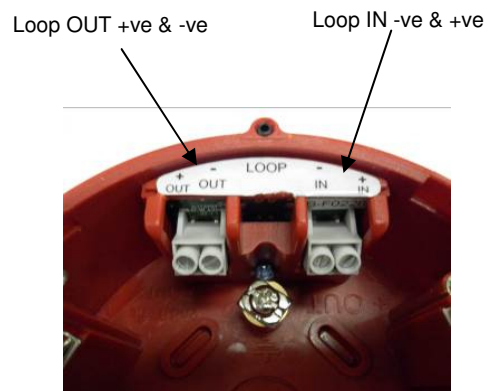
TECHNICAL DATASHEET

Part Number	-	-	-	-	-	EV-HIOP-SDR-SCI - F16-82060
Part Number	-	-	-	-	-	EV-HIOP-SDR - F16-82061
Description	-	-	-	-	-	Addressable High Output Sounder with(out) Isolator
Device Type	-	-	-	-	-	Type B Outdoor Sounder with(out) Isolator
Sounder Device	-	-	-	-	-	Rocking Armature Transducer
Sounder Output	-	-	-	-	-	Up to 100 dB(A) @ 1 metre (Tone & Angle dependant)
Sounder Tones	-	-	-	-	-	32 Tones DIP Switch select (3 Approved Tones)
Operating Voltage	-	-	-	-	-	24V d.c. to 38V d.c.
System Voltage	-	-	-	-	-	35V d.c
Quiescent Current	-	-	-	-	-	200µA
Sounder Operating Current	-	-	-	-	-	20mA
Operating Temperature	-	-	-	-	-	- 25°C to + 70°C
Storage Temperature	-	-	-	-	-	- 25°C to + 70°C
Relative Humidity	-	-	-	-	-	≤ RH95% non-condensing.
I.P. Protection Rating	-	-	-	-	-	IP65
Addressing Method	-	-	-	-	-	Soft addressing, Non-Volatile EEPROM.
Material	-	-	-	-	-	ABS
Dimensions	-	-	-	-	-	Ø104mm x 80mm
Mass	-	-	-	-	-	225g
Minimum Sw Open Voltage (V_{so min})	-	-	-	-	-	9V d.c.
Maximum Sw Open Voltage (V_{so max})	-	-	-	-	-	11V d.c.
Minimum Sw Close Voltage (V_{sc min})	-	-	-	-	-	10V d.c.
Maximum Sw Close Voltage (V_{sc max})	-	-	-	-	-	13V d.c.
Maximum Line Current (I_{c max})	-	-	-	-	-	800mA
Maximum Switching Current (I_{s max})	-	-	-	-	-	1500mA
Maximum Leakage Current (I_{l max})	-	-	-	-	-	13mA
Maximum Switch Resistance (Z_{c max})	-	-	-	-	-	150mΩ
CE Conformity	-	-	-	-	-	EN54-3 & EN54-17
CPR Number	-	-	-	-	-	0359-CPR-00465
DoP Number	-	-	-	-	-	00465

All wiring must conform to the current edition of IEE Wiring regulations and BS5839 Part 1
All loop Cable Screens shall be connected together, but must be Isolated from Ground. Cable Screens shall be connected to Earth Ground within the Control Panel ONLY.



Dimensions



Connections